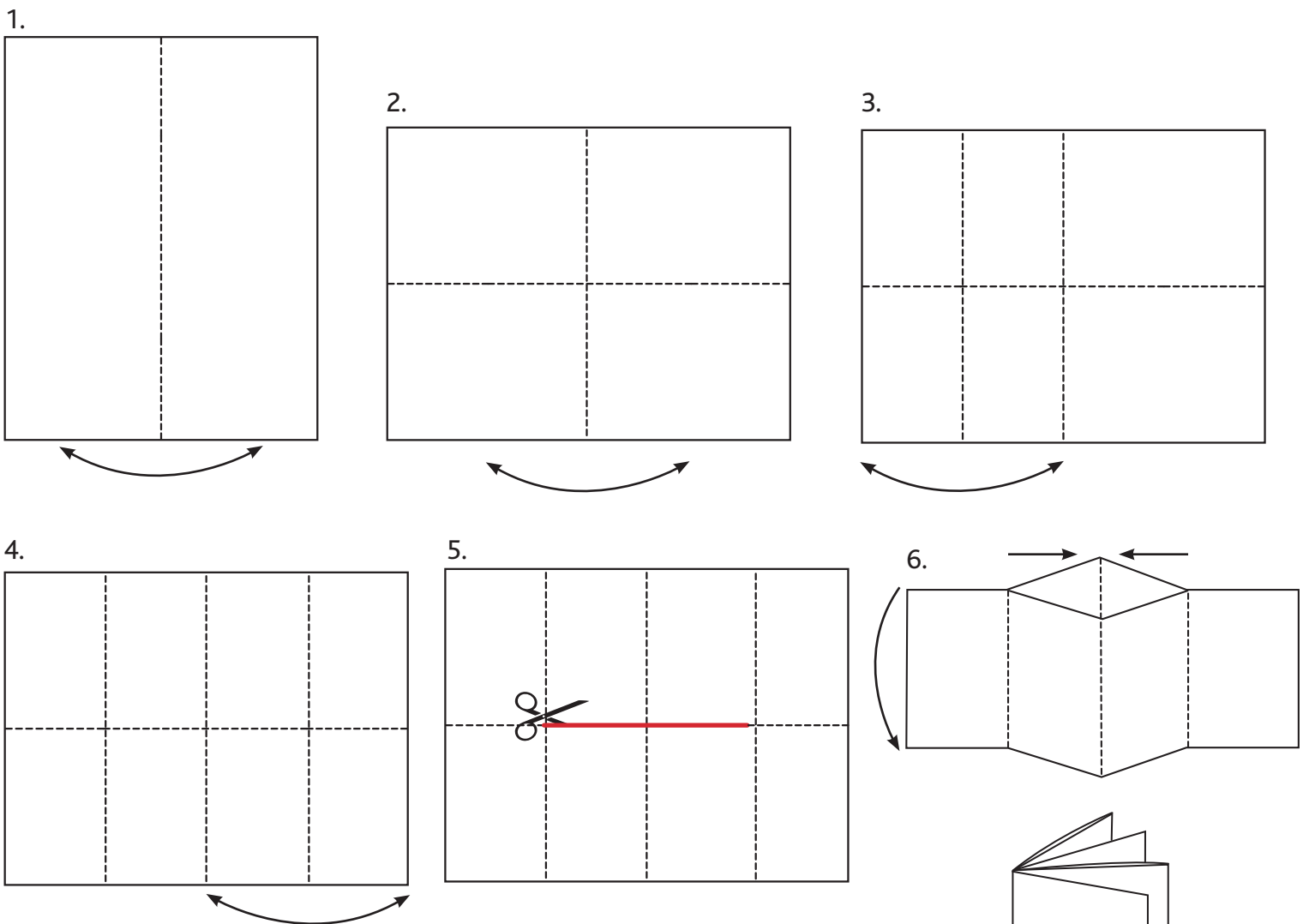


When a child takes home a Book Buddy, they are also given a journal in which to write about their time with their Book Buddy.

Using a separate sheet of paper and with the help of an adult, follow the instructions below to create your own Book Buddy notebook. Pick one of your toys or stuffed animals and have an adventure with them as if they were a Book Buddy. Then write or draw about what you did together in your journal.



1. Fold and unfold the paper in half left to right.
2. Rotate paper, then fold and unfold in half left to right again.
3. Fold and unfold left edge to the center crease.
4. Fold and unfold right edge to the center crease.
5. Cut across the center crease in the two middle boxes (shown in red on the diagram).
6. Fold the paper top to bottom and push the ends together toward the middle.
Then fold all four pages to one side to finish the journal.

